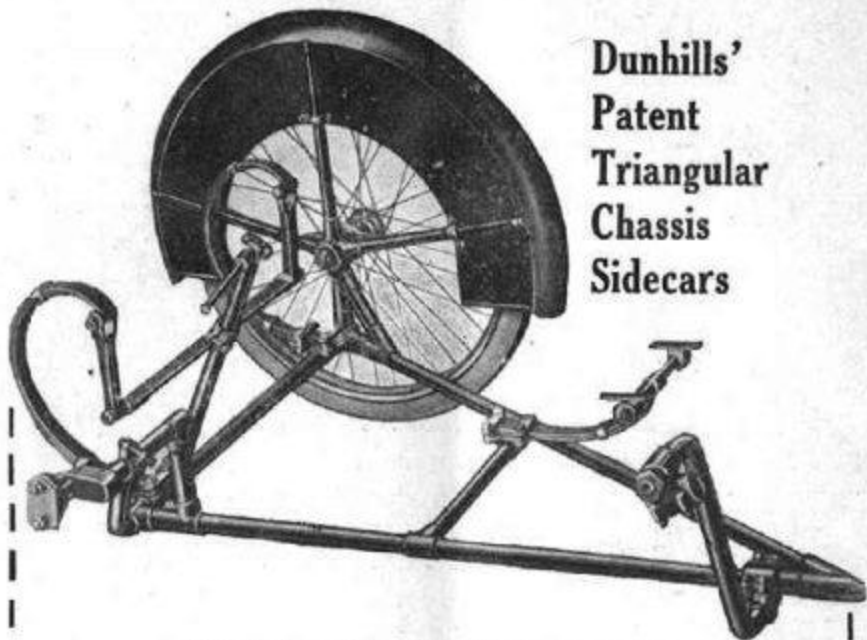


**Dunhills'
Patent
Triangular
Chassis
Sidecars**



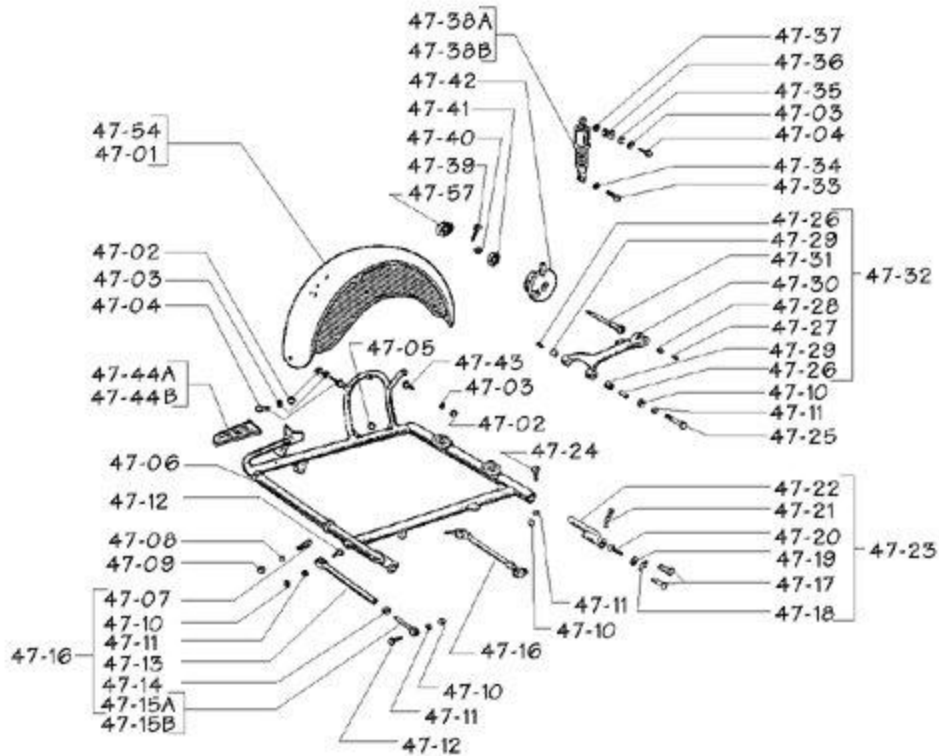
This design is based on the most extensive and practical experience as well as upon sound theoretical lines. The construction provides maximum weight and rigidity with minimum weight, and distortion is absolutely prevented. Made in three weights, each embodying the Dunhill Patent (No. 4783/15); for strength, appearance and attention to practical details this chassis will prove to be the most scientific and best yet offered to the Motor Cycling public.

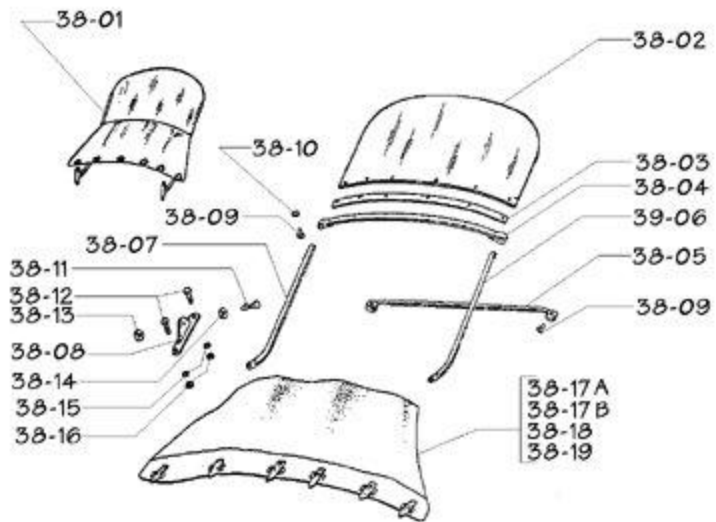
An attractive selection of bodies is available, and we shall be glad to send a copy of our 1920 Sidecar List on request.

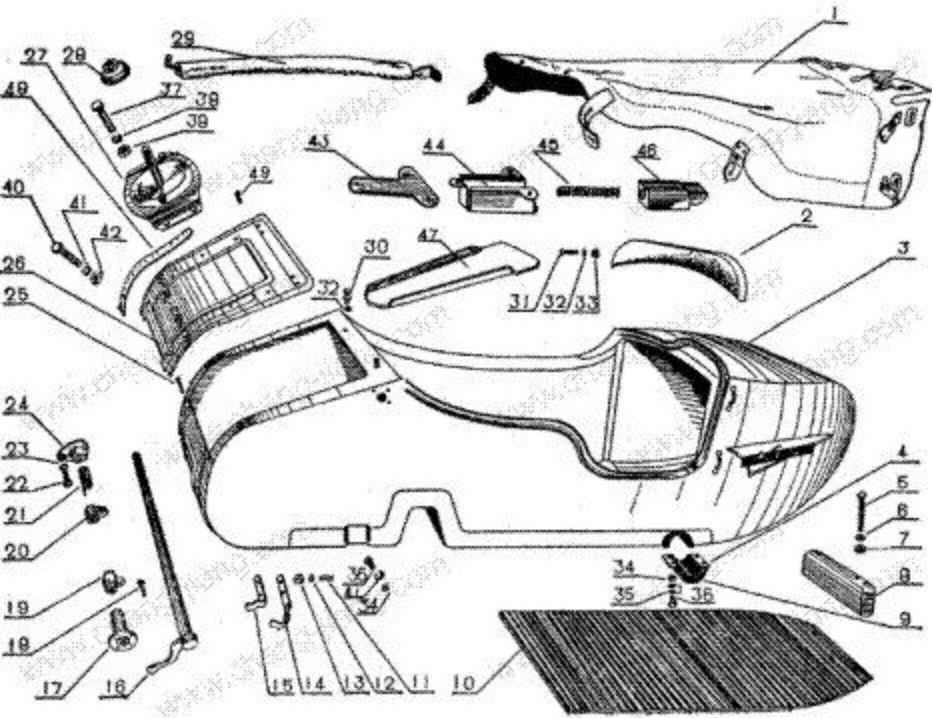
Dunhills Limited

*SPECIALISTS IN MOTOR CYCLING
EQUIPMENT*

**359/361, Euston Road,
London, N.W.1.**







46-01A
46-01B

